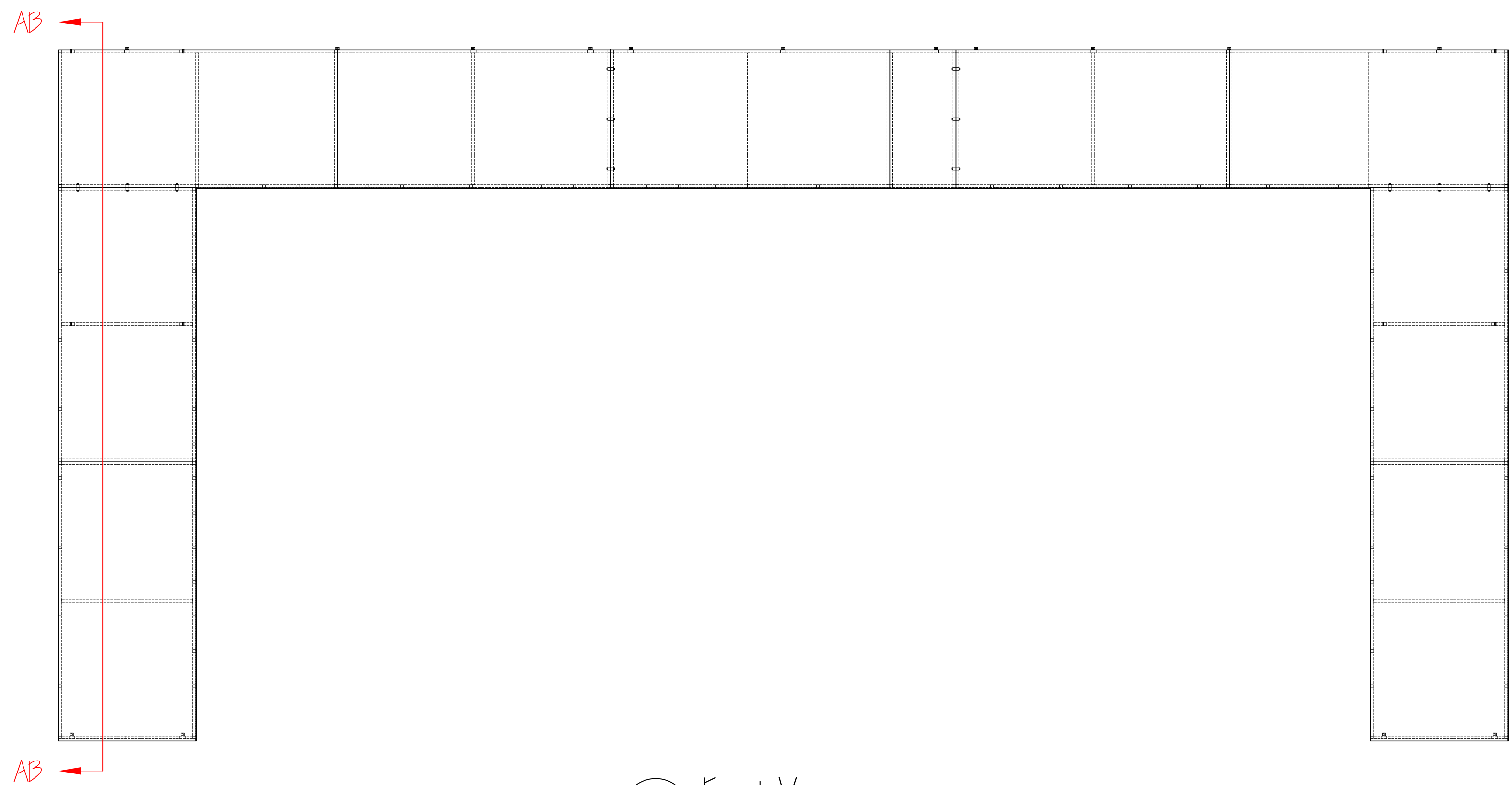


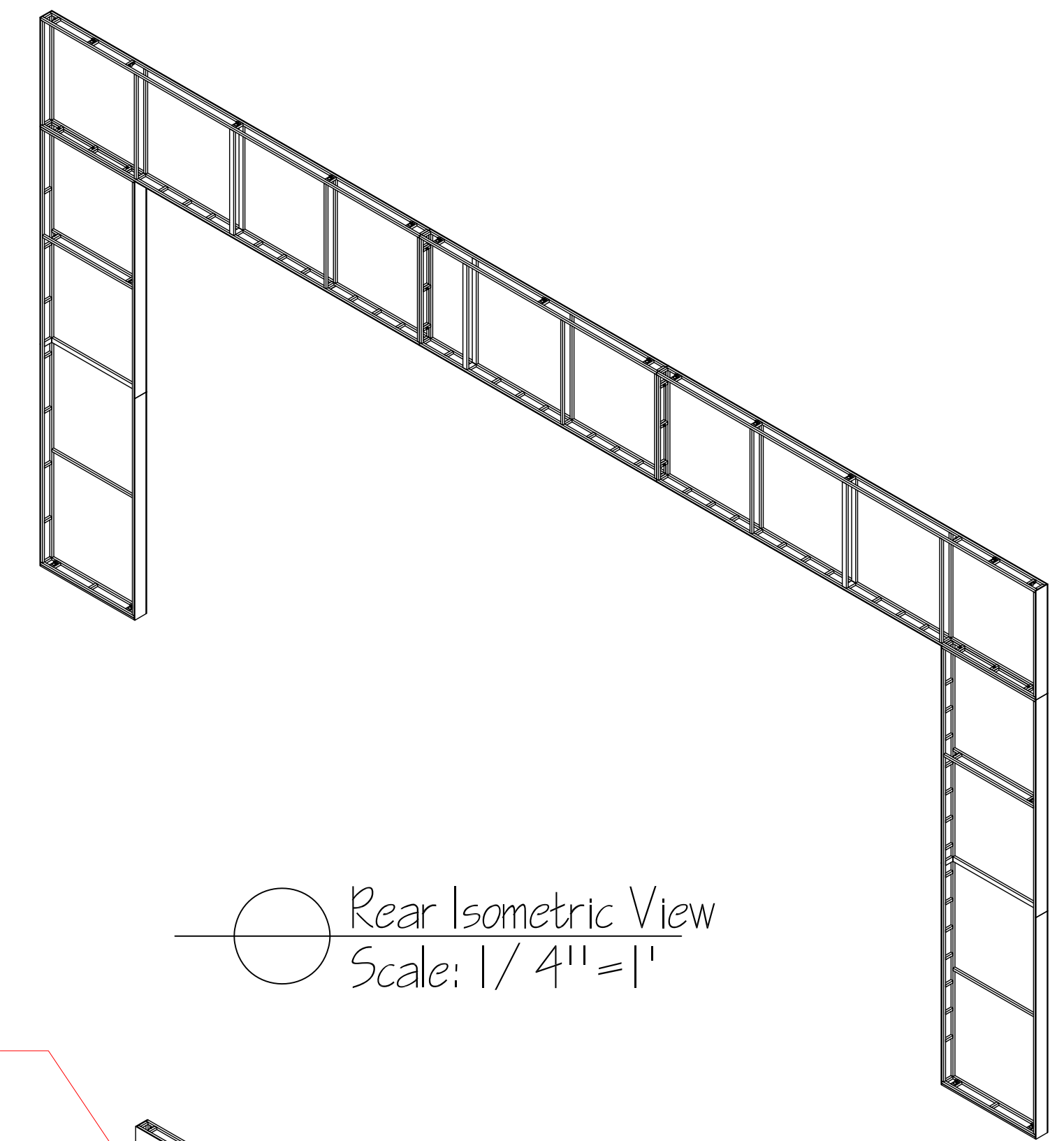
Back View  
Scale: 3/8" = 1"



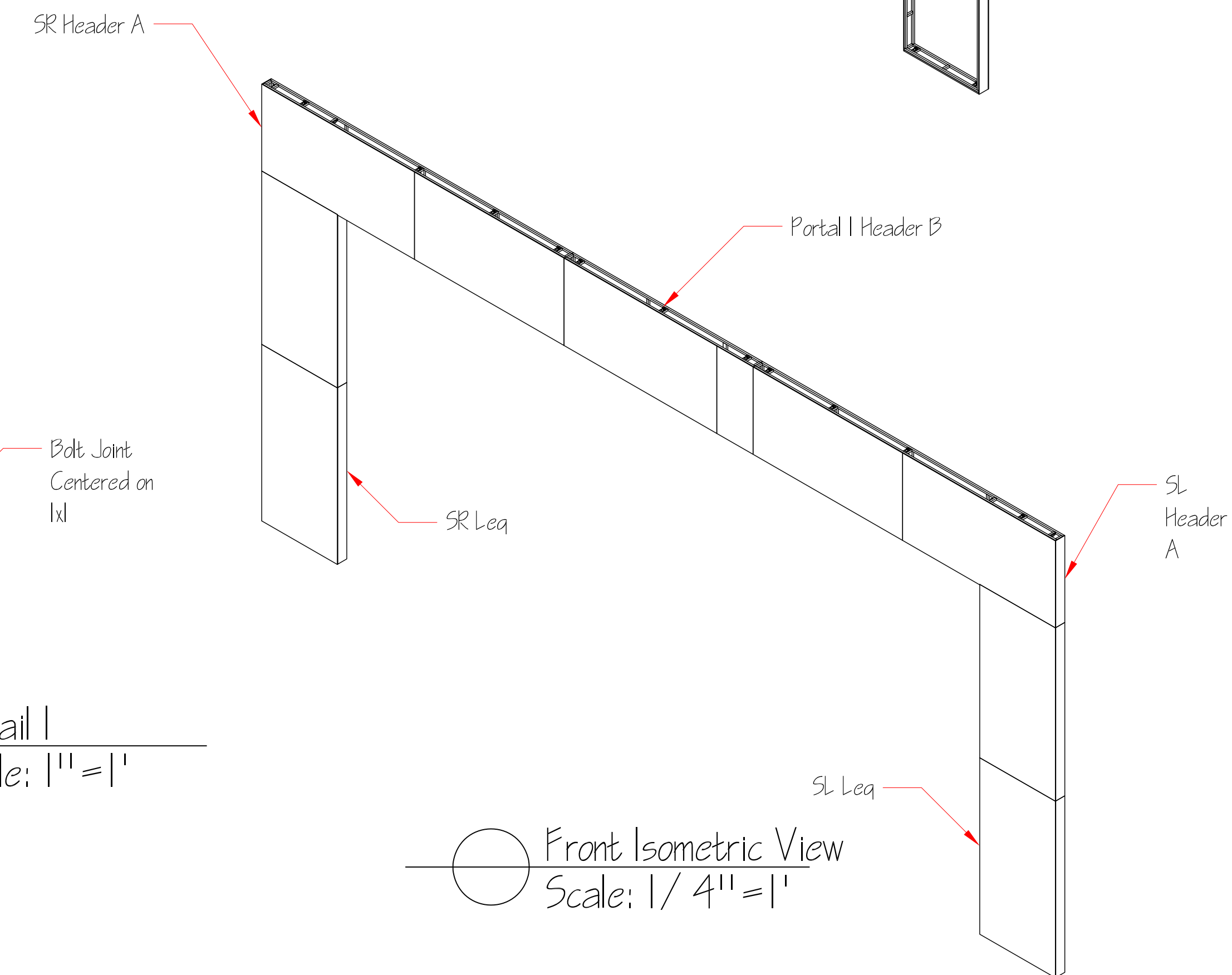
Front View  
Scale: 3/8" = 1"

3/8" Hex bolt w/  
flat washers and  
Nyllocks TYP

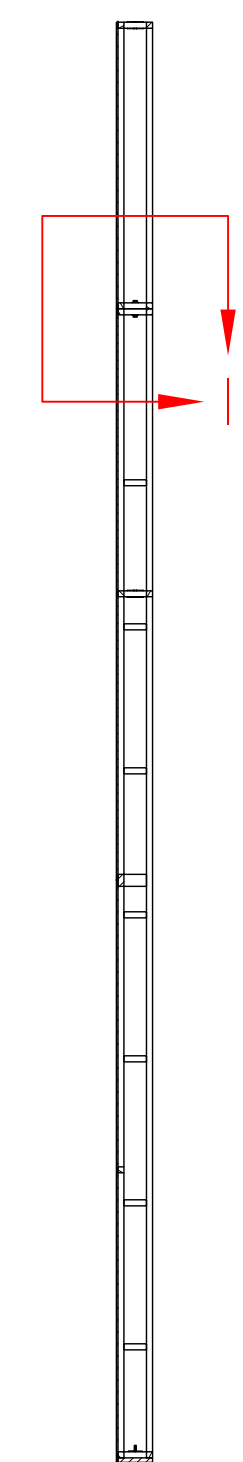
3/8" Hex bolt w/  
flat washers and  
Nyllocks TYP



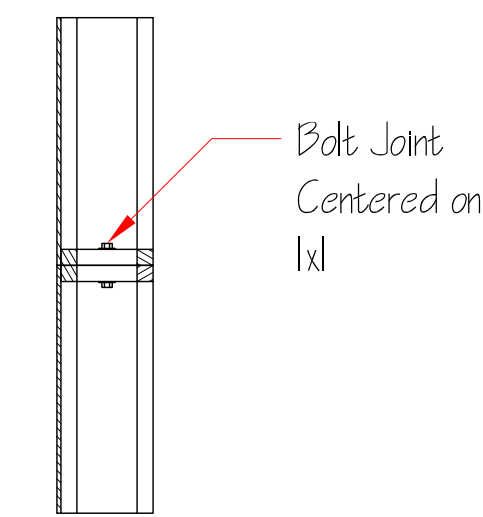
Rear Isometric View  
Scale: 1/4" = 1"



Front Isometric View  
Scale: 1/4" = 1"



Section AB-AB  
Scale: 3/8" = 1"



Detail I  
Scale: 1" = 1"

Bolt Joint  
Centered on  
I/I

- Notes:
- Bolt frames to one another using 3/8" rated hex head bolts, washers, and nyllocks.
  - All fasteners used must be aluminum, stainless steel, or zinc coated steel to prevent galvanic corrosion
  - Repeat assembly process for Portals 2-4 using respective Header B Sections.

Ohio Light Opera	
Portal Assembly	
Portal System I Assembly	
Drafted By: Samantha Miller	
Plot Date: 4/29/15	Scale: As Noted
PA	