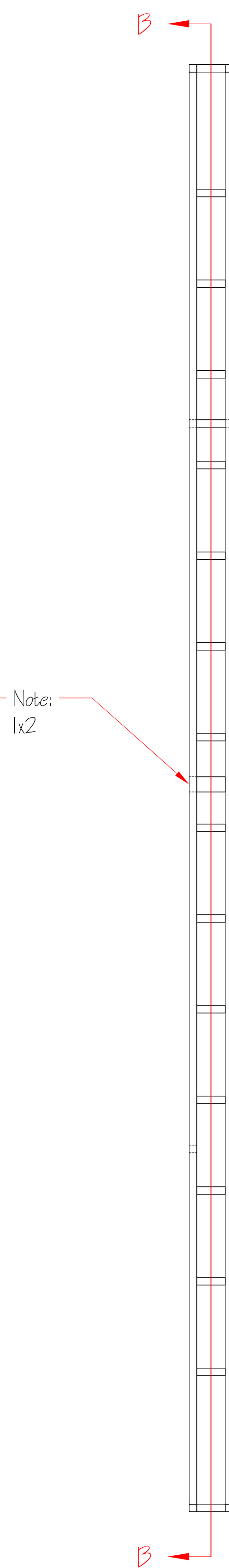
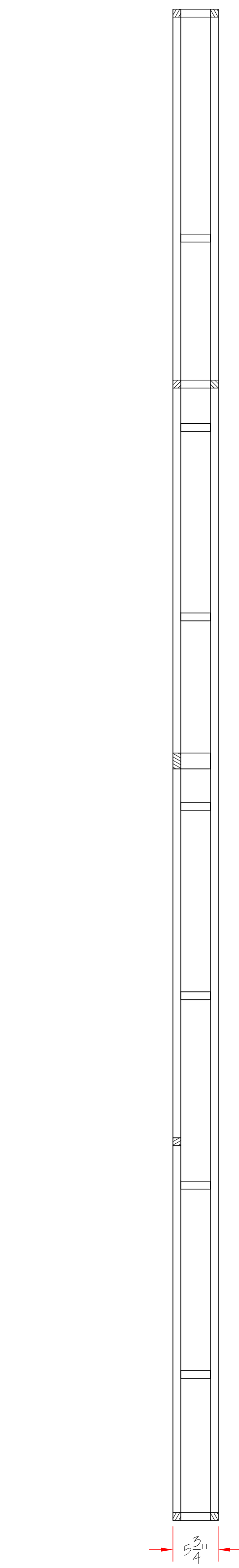


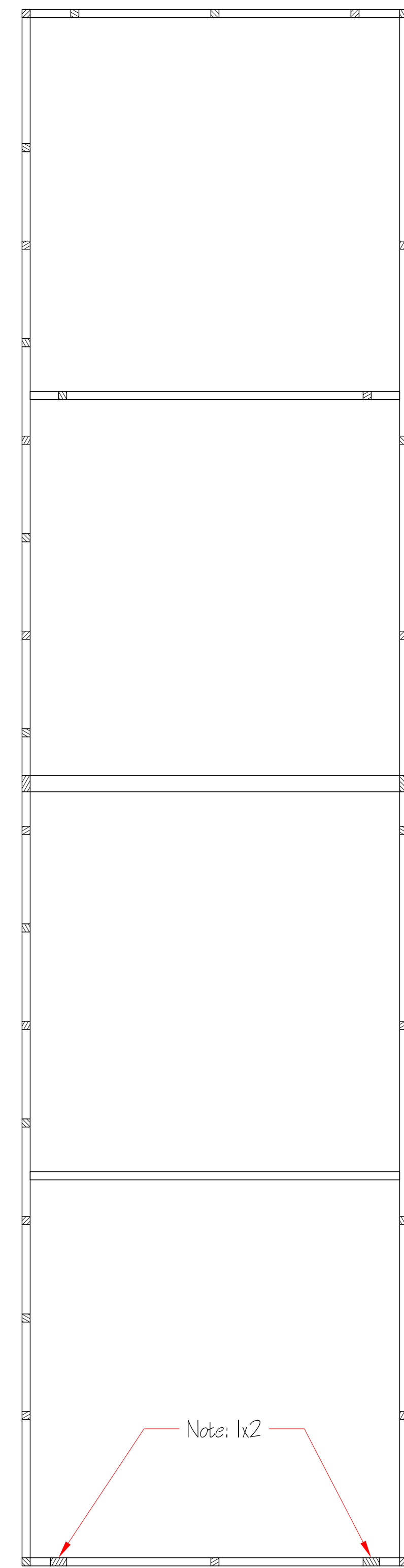
○ Front Frame View



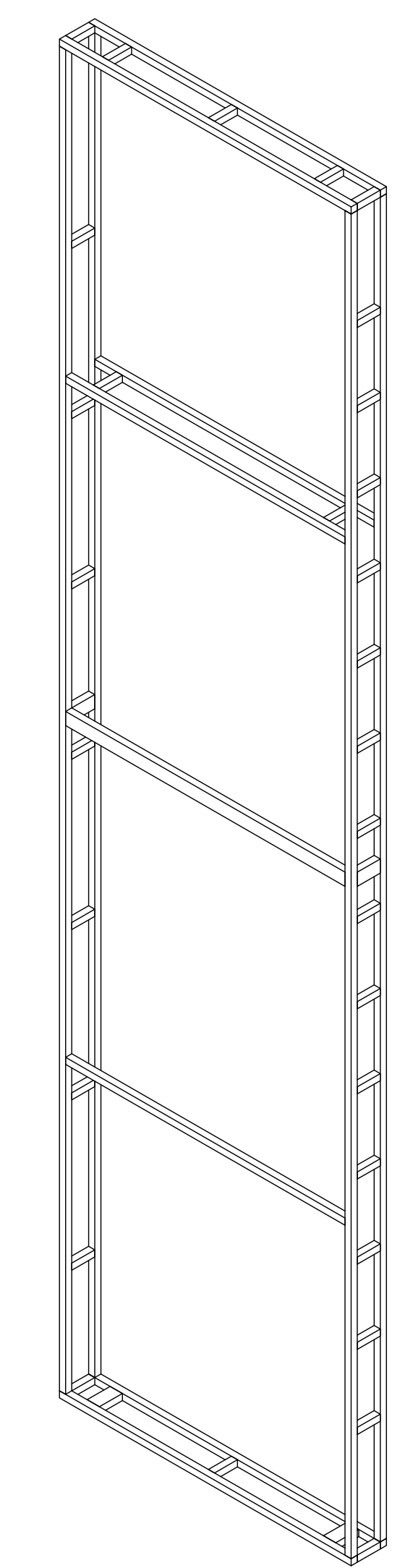
○ Side View



○ Section A-A



○ Section B-B



○ Isometric View  
Scale: 3/4" = 1'

Notes:

- Build 4
- Reverse and repeat for 4 SR legs
- Frame using 1x1, 1/8" wall square aluminum tubing
- Avoid welds on front face and exterior sides as unit will be faced with sheet goods
- Be aware of placement of 1x2 for seam catches

Cut List Per Leg; 8 Legs Total

1x1 Box

- 4 @ 15'-9 1/2"
- 4 @ 3'-11 1/2"
- 3 @ 3'-9 1/2"
- 31 @ 0'-3 3/4"

1x2 Rect

- 1 @ 3'-9 1/2"
- 4 @ 0'-3 3/4"

Ohio Light Opera	
Portal System Frames	
SR Leg Frame	
Drafted By: Samantha Miller	
Plot Date: 4/29/15	Scale: 1" = 1'
PF 1	