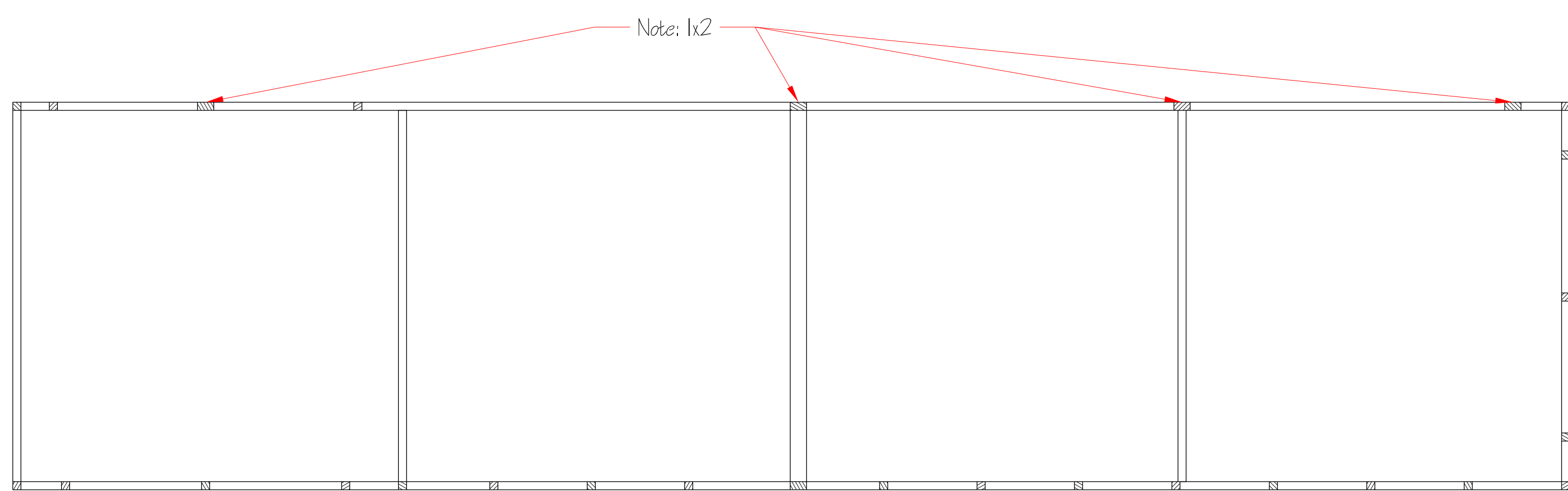
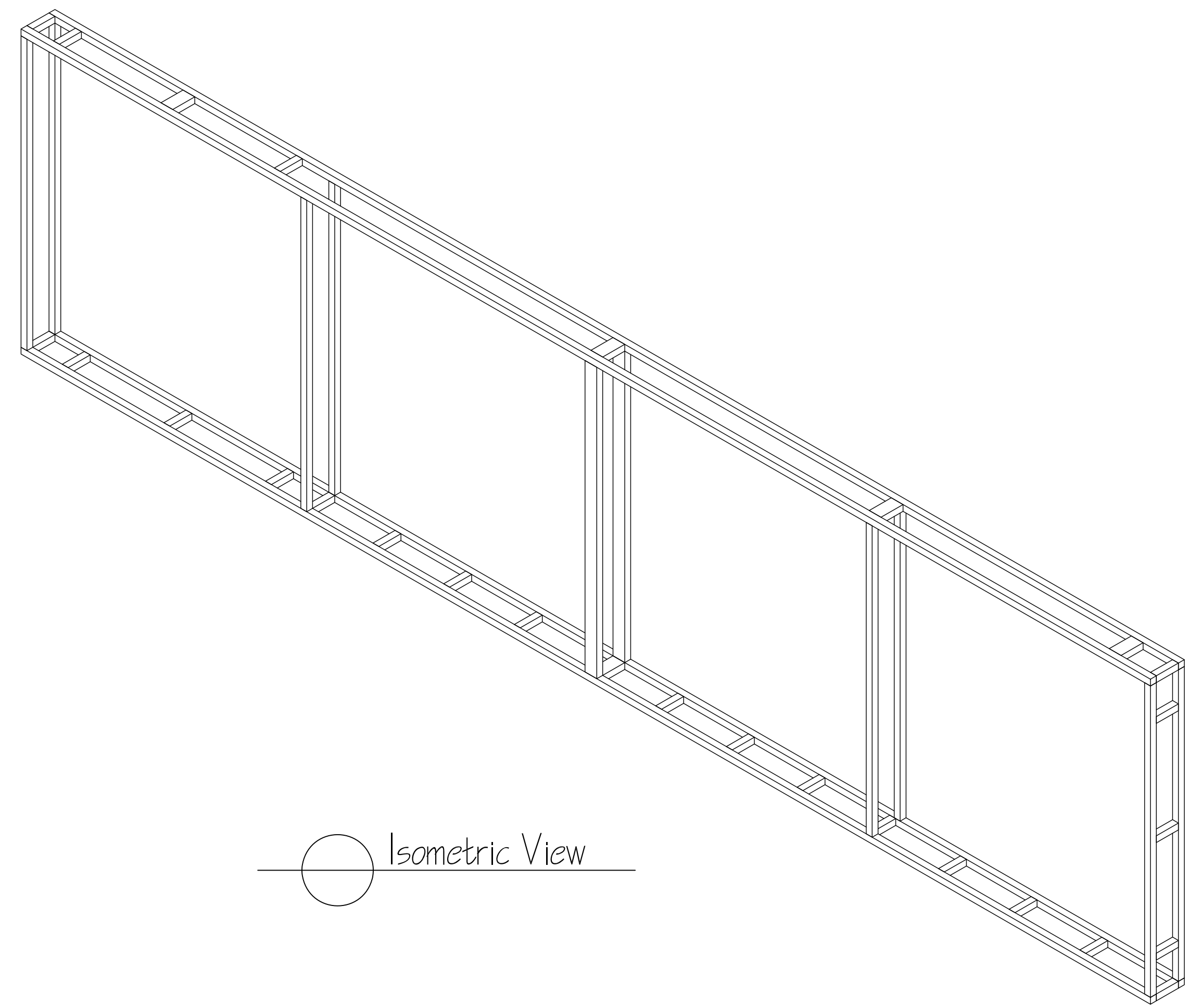


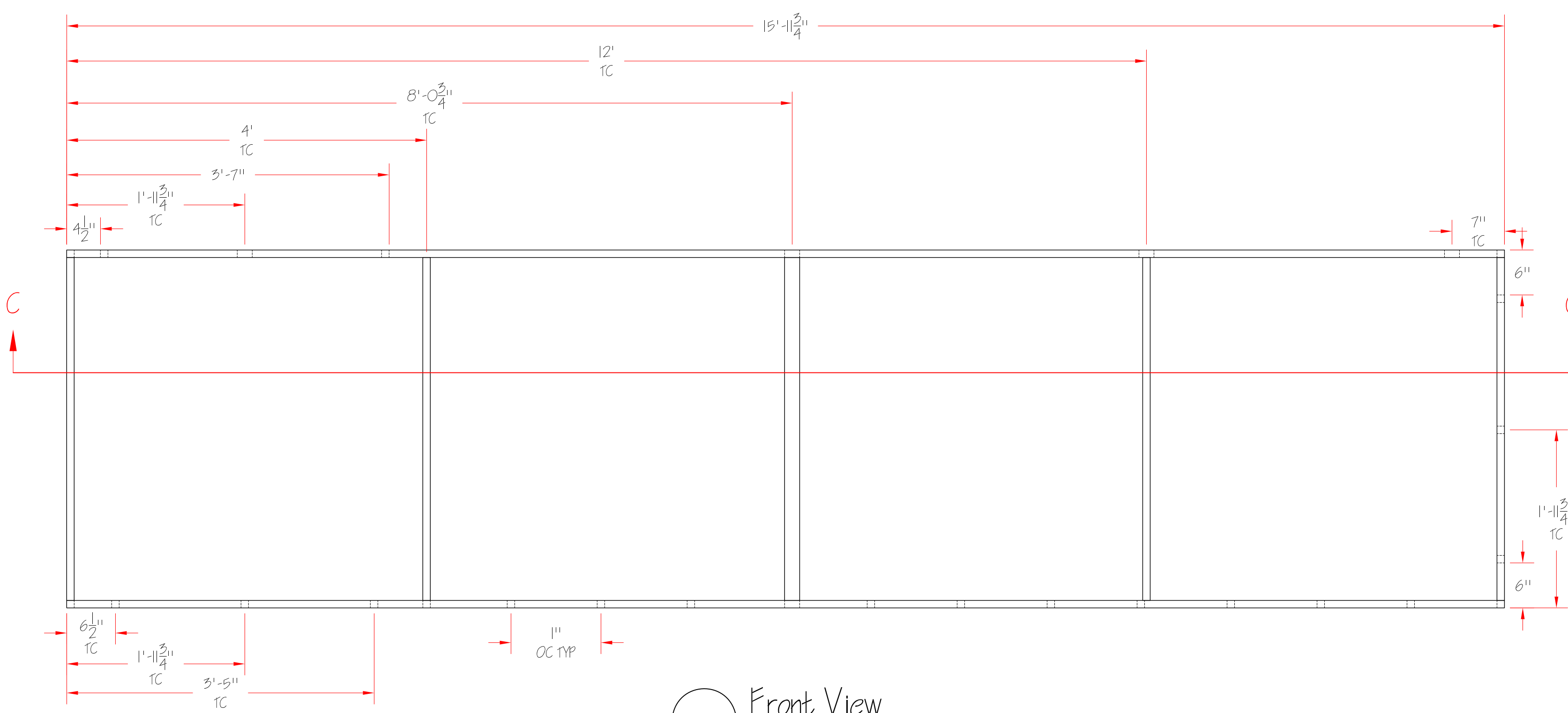
Top View



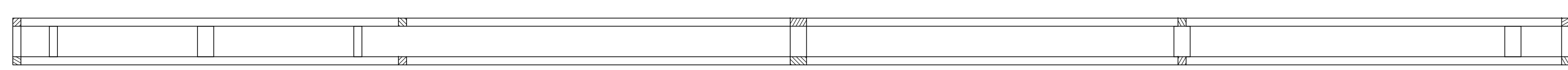
Section D-D



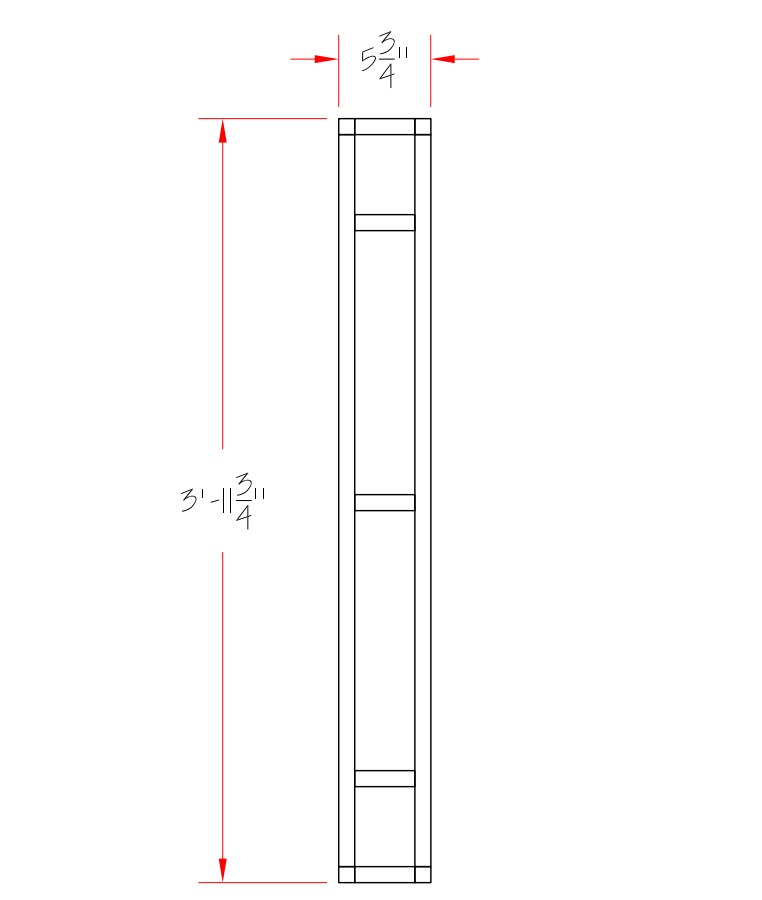
Isometric View



Front View



Section C-C



Side View

- Notes:
- Build 4
  - Reverse and repeat for 4 SL header A Frames
  - Frame using 1x1, 1/8" wall square aluminum tubing
  - Avoid welds on front face and exterior sides as unit will be faced with sheet goods
  - Be aware of placement of 1x2 for seam catches

Cut List Per Frame: 8 Total Frames

- |                  |                 |
|------------------|-----------------|
| 1x1 Box          | 1x2 Rect        |
| • 4 @ 16'-0"     | • 2 @ 3'-9 3/4" |
| • 8 @ 3'-9 3/4"  | • 5 @ 0'-3 3/4" |
| • 25 @ 0'-3 3/4" |                 |

Ohio Light Opera	
Portal System Frames	
SR Header A Frame	
Drafted By: Samantha Miller	
Plot Date: 4/29/15	Scale: 1" = 1'
PF 2	