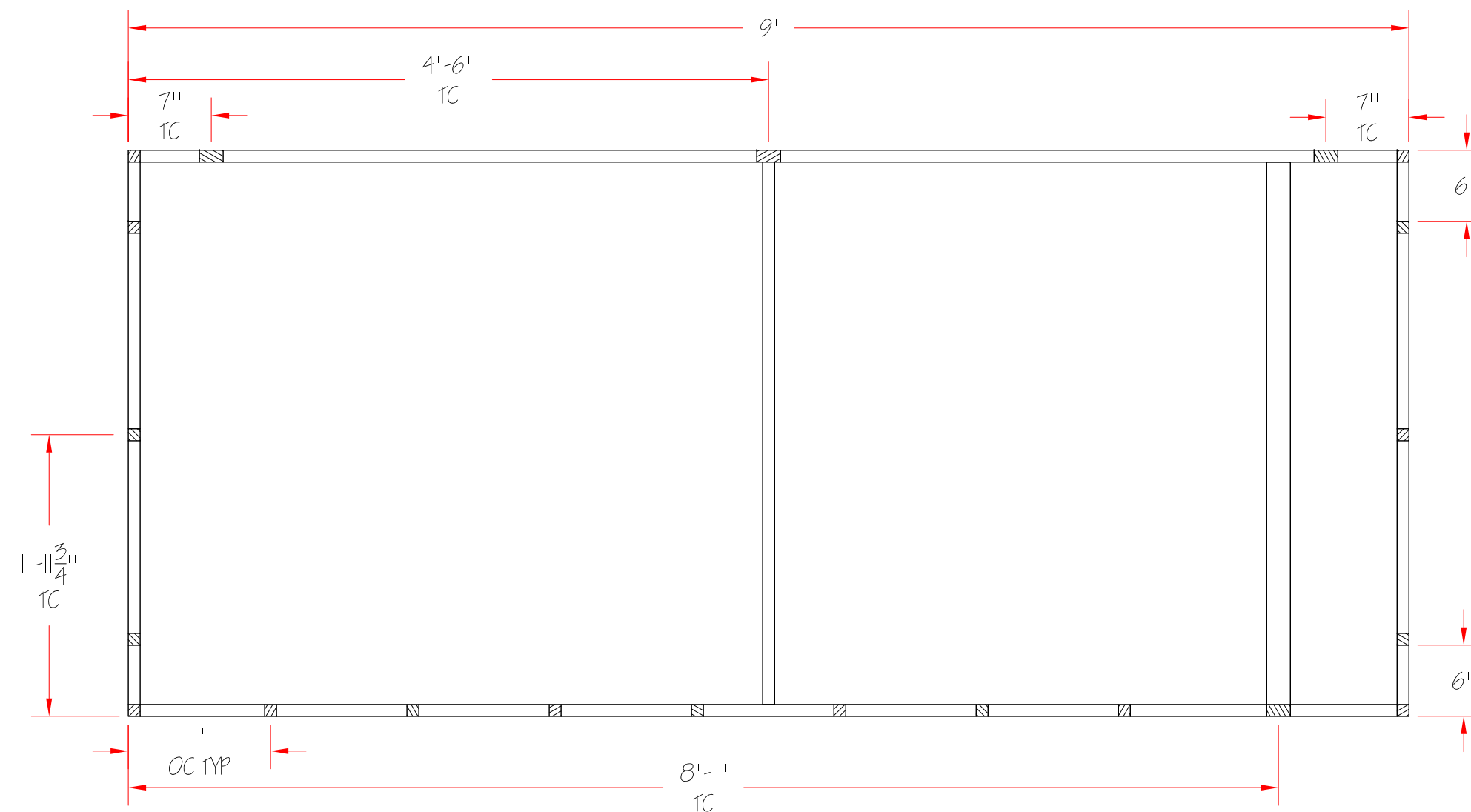
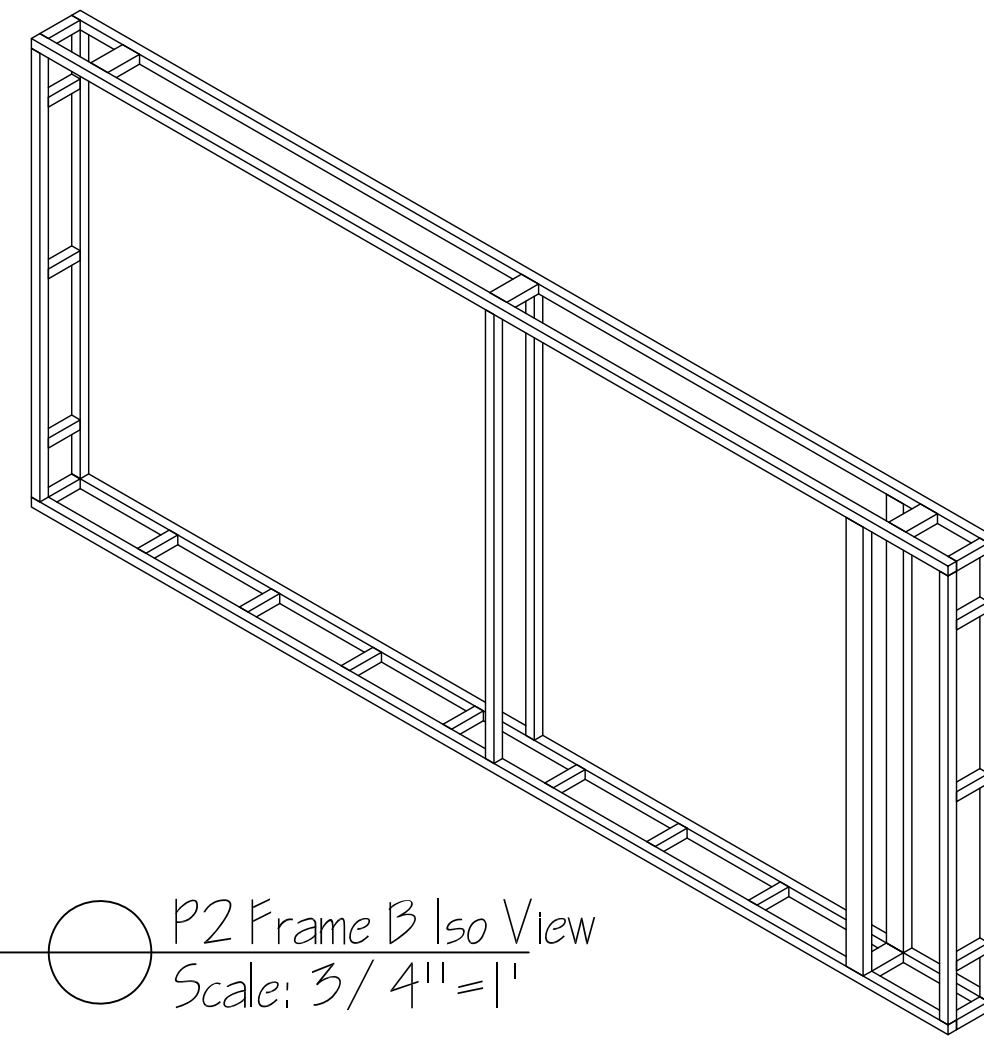


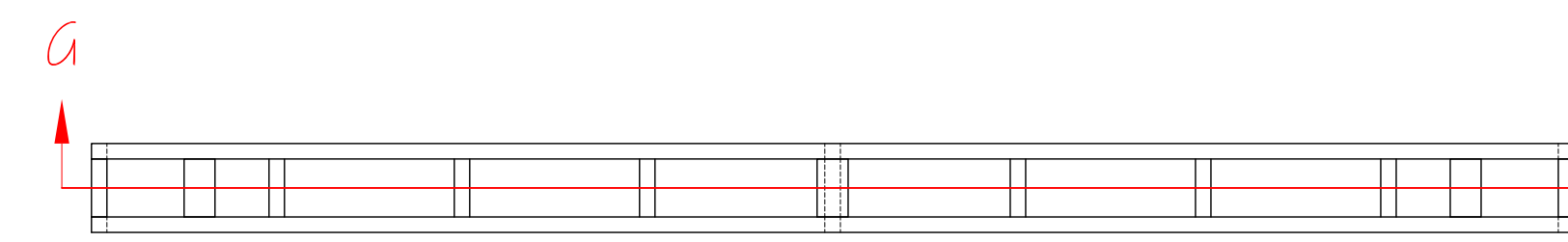
Portal 2 Frame B
Top View



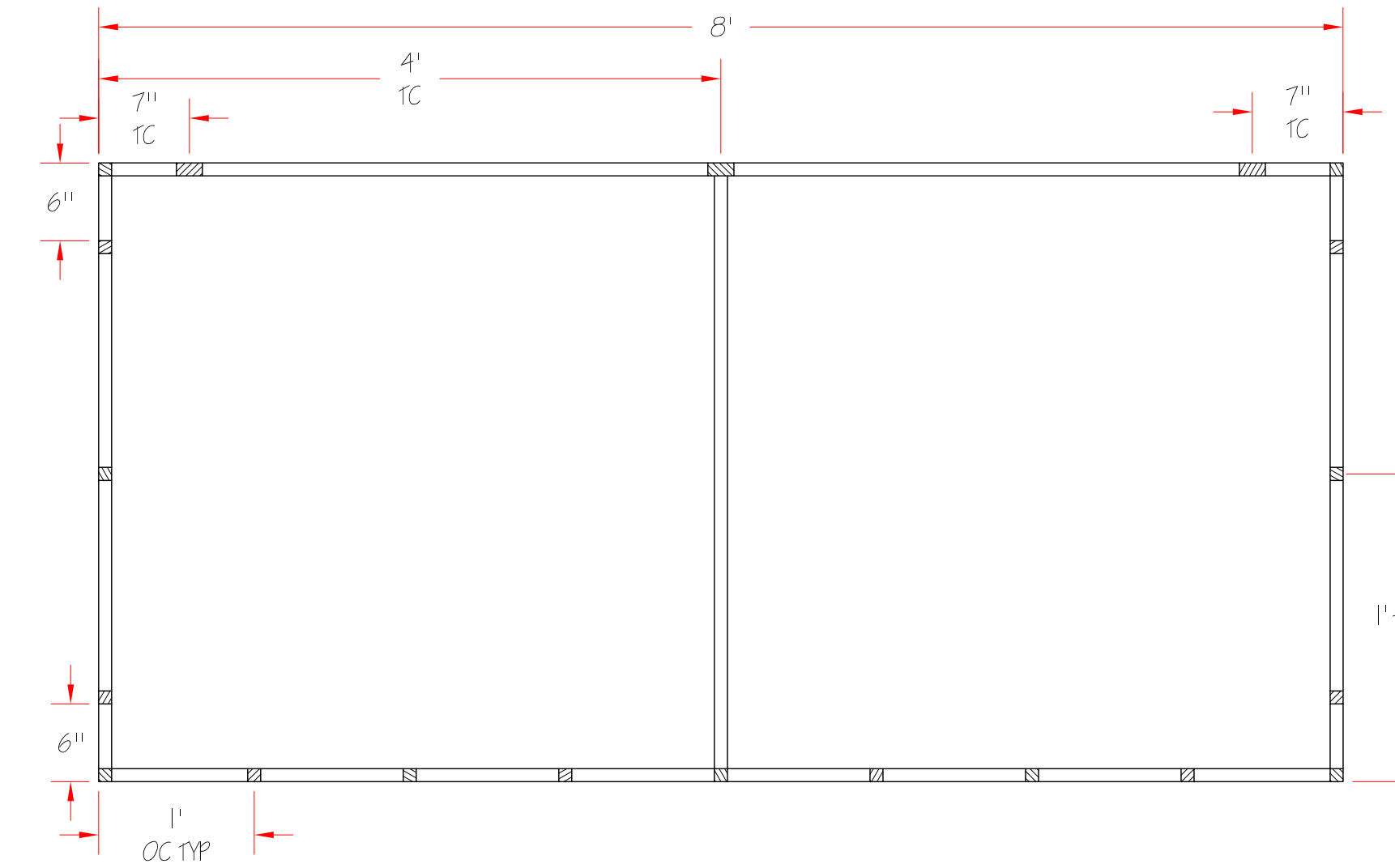
Portal 2 Frame B
Section F-F



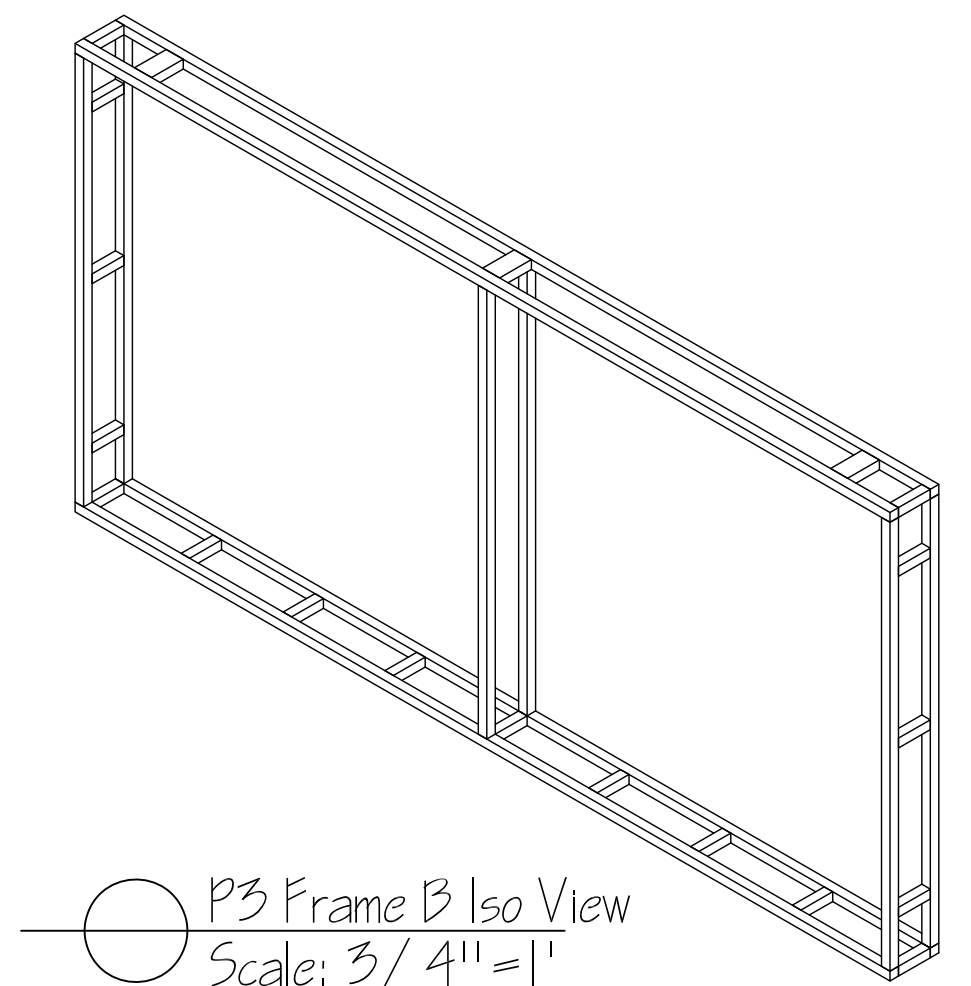
P2 Frame B Iso View
Scale: 3/4" = 1'



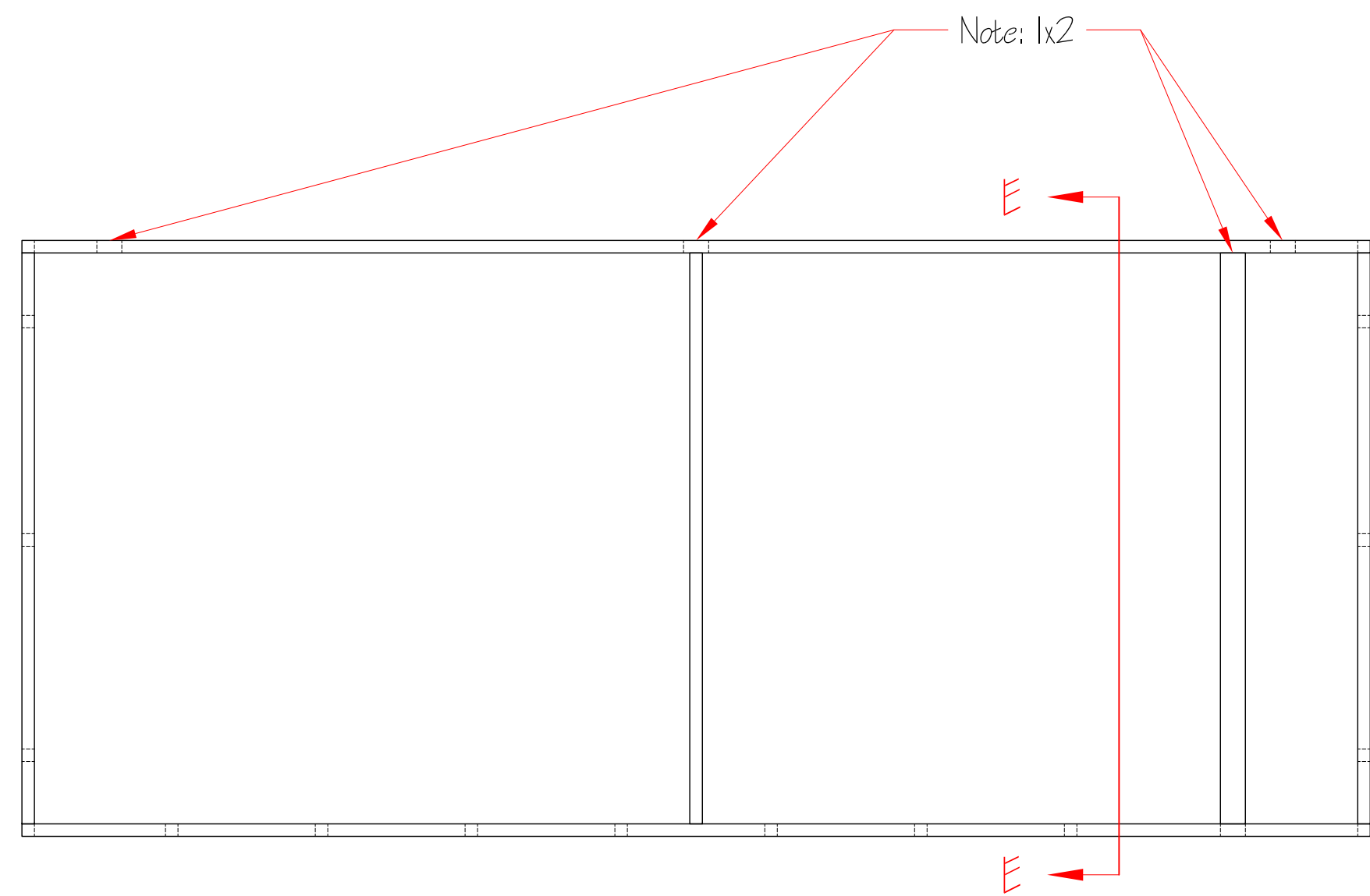
Portal 3 Frame B
Top View



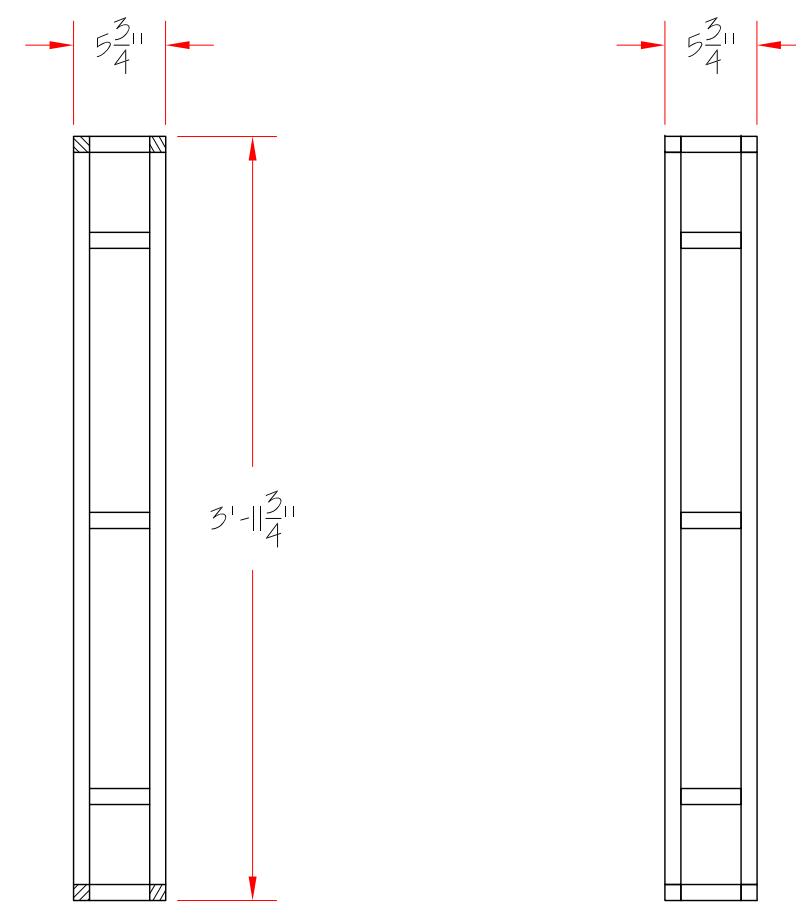
Portal 3 Frame B
Section G-G



P3 Frame B Iso View
Scale: 3/4" = 1'

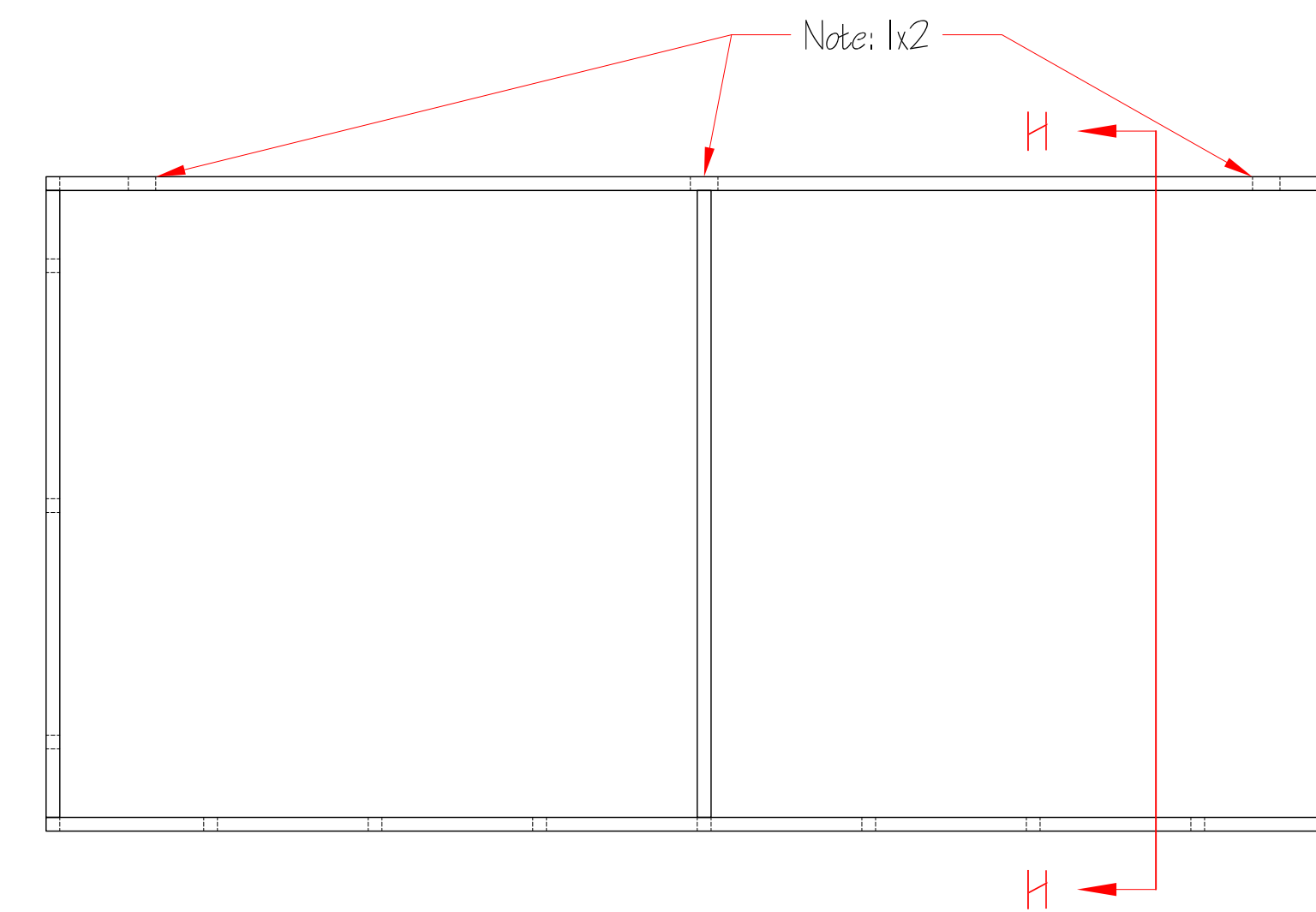


Portal 2 Frame B
Front View

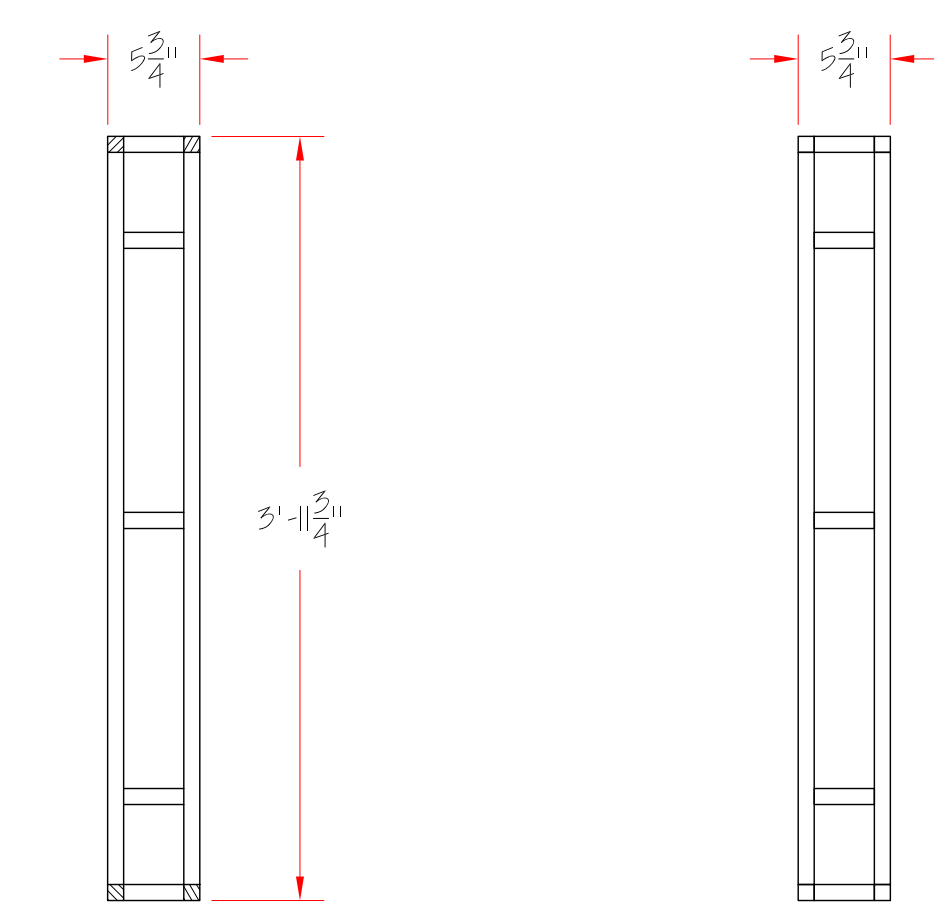


Portal 2 Frame B
Section E-E

Portal 2 Frame B
Side View



Portal 3 Frame B
Front View



Portal 3 Frame B
Section H-H

Portal 3 Frame B
Side View

Notes:

- Build 1 of each
- Frame using 1x1, 1/8" wall square aluminum tubing
- Avoid welds on front face and exterior sides as unit will be faced with sheet goods
- Be aware of placement of 1x2 for seam catches

Cut List Portal 2 Frame B

1x1 Box

- 4 @ 9'-0"
- 6 @ 3'-9 3/4"
- 17 @ 0'-3 3/4"

1x2 Rect

- 2 @ 3'-9 3/4"
- 4 @ 0'-3 3/4"

Cut List Portal 3 Frame B

1x1 Box

- 4 @ 8'-0"
- 6 @ 3'-9 3/4"
- 17 @ 0'-3 3/4"

1x2 Rect

- 3 @ 0'-3 3/4"

Ohio Light Opera

Portal System Frames

Portal 2 and 3 Header B Frames

Drafted By: Samantha Miller

Plot Date: 4/29/15 Scale: 1" = 1'

PF 3