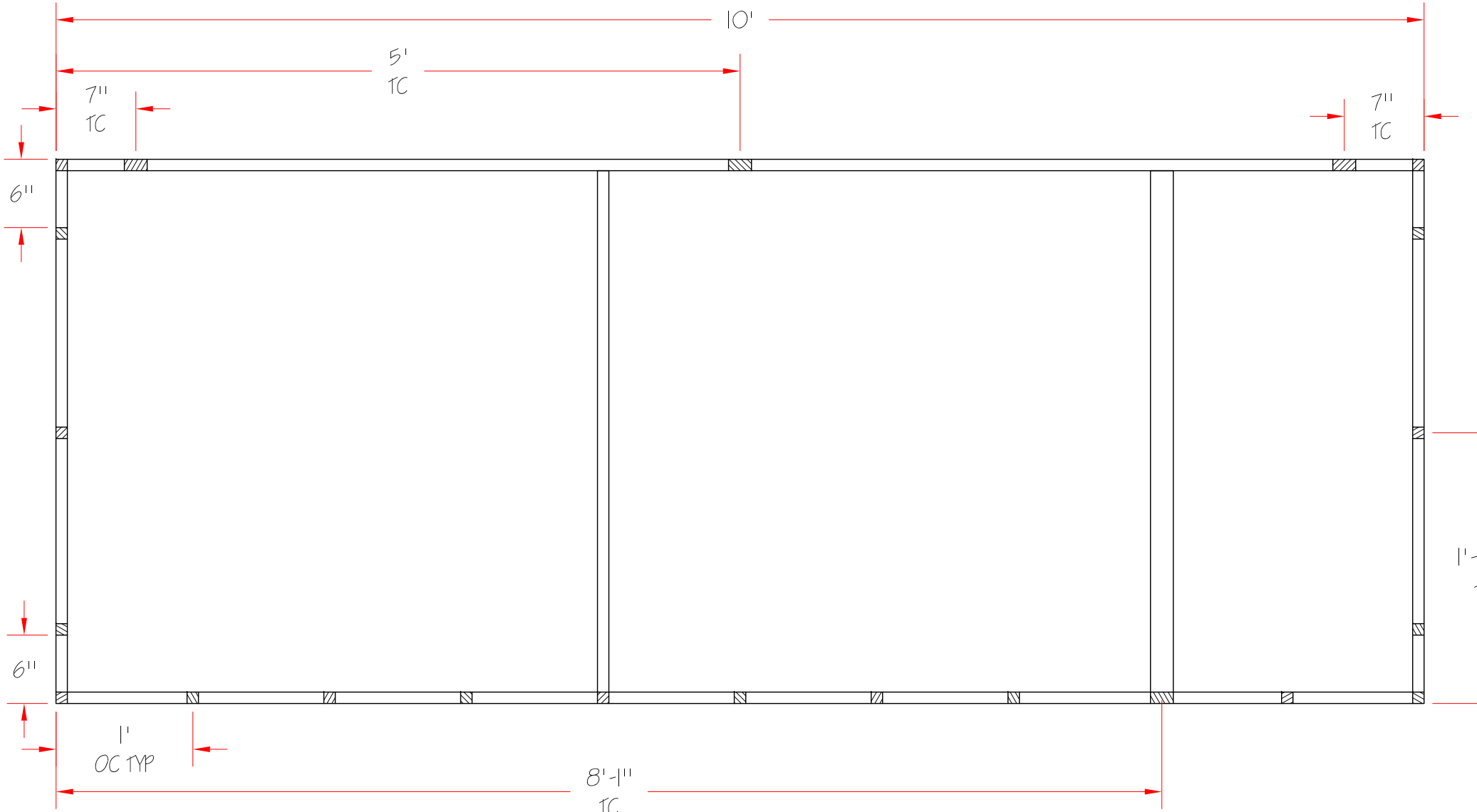
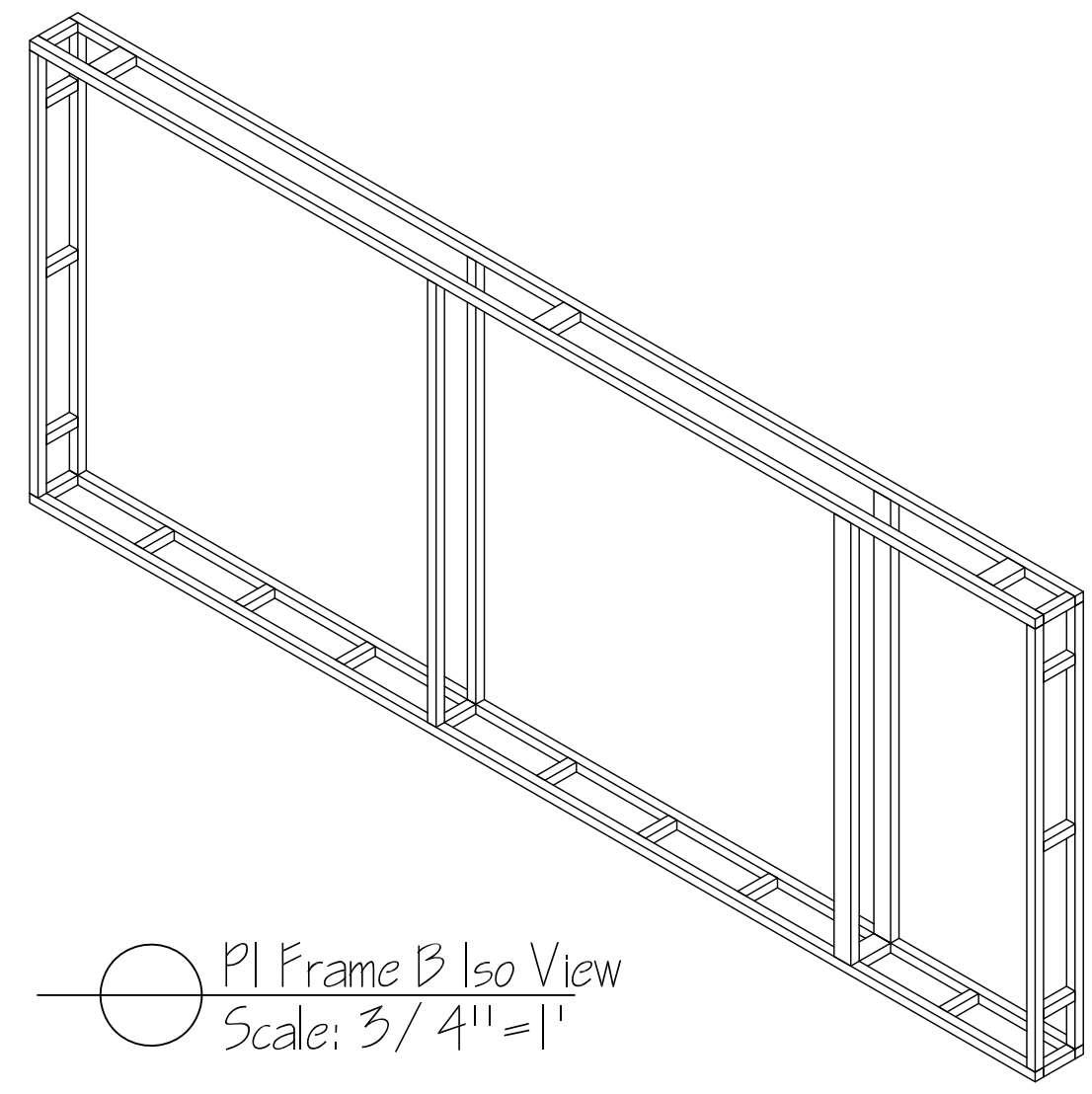


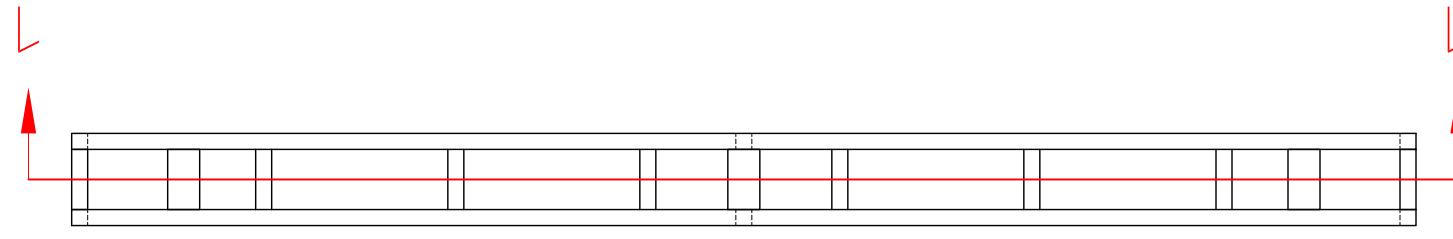
Portal 1 Frame B
Top View



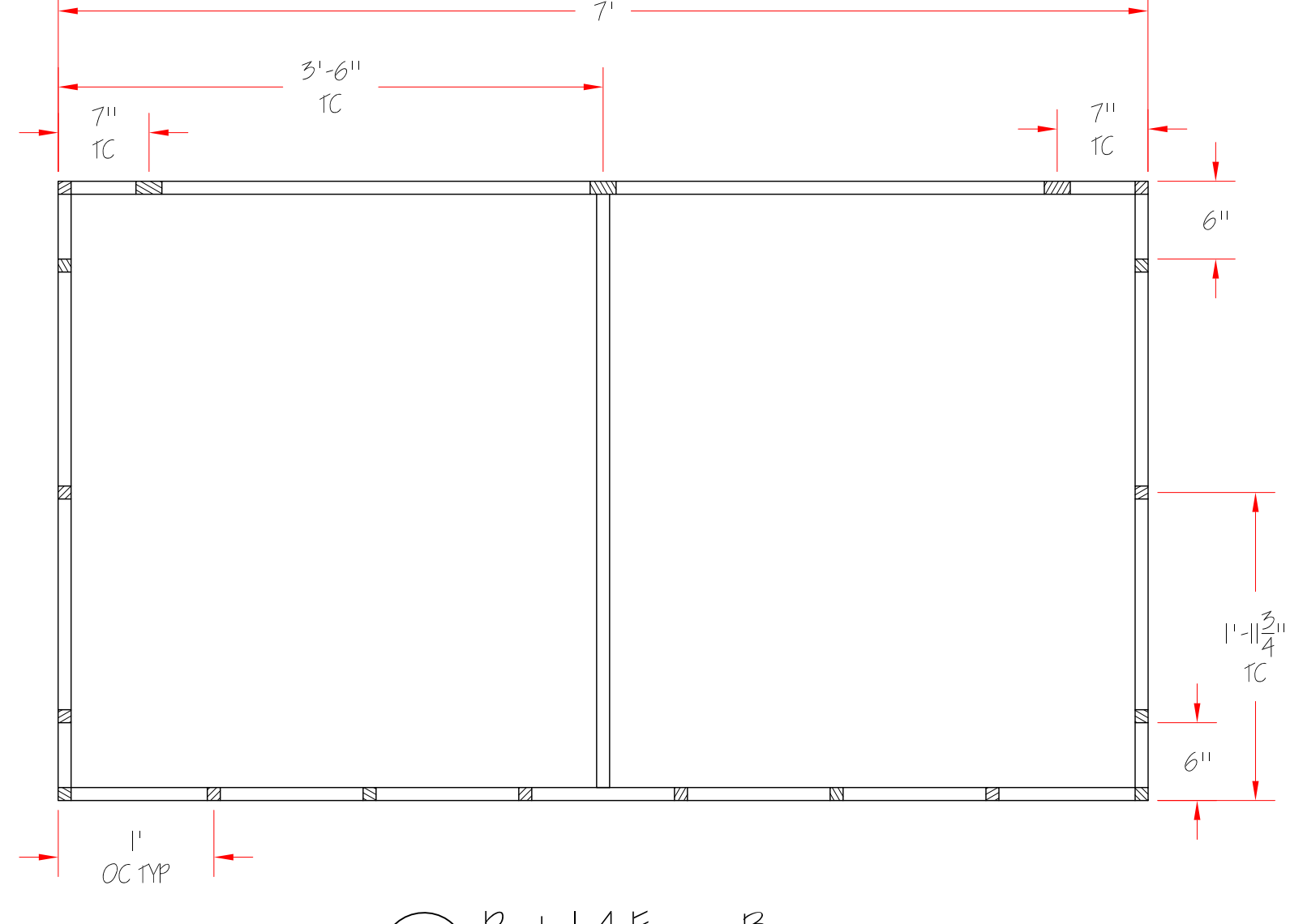
Portal 1 Frame B
Section J-J



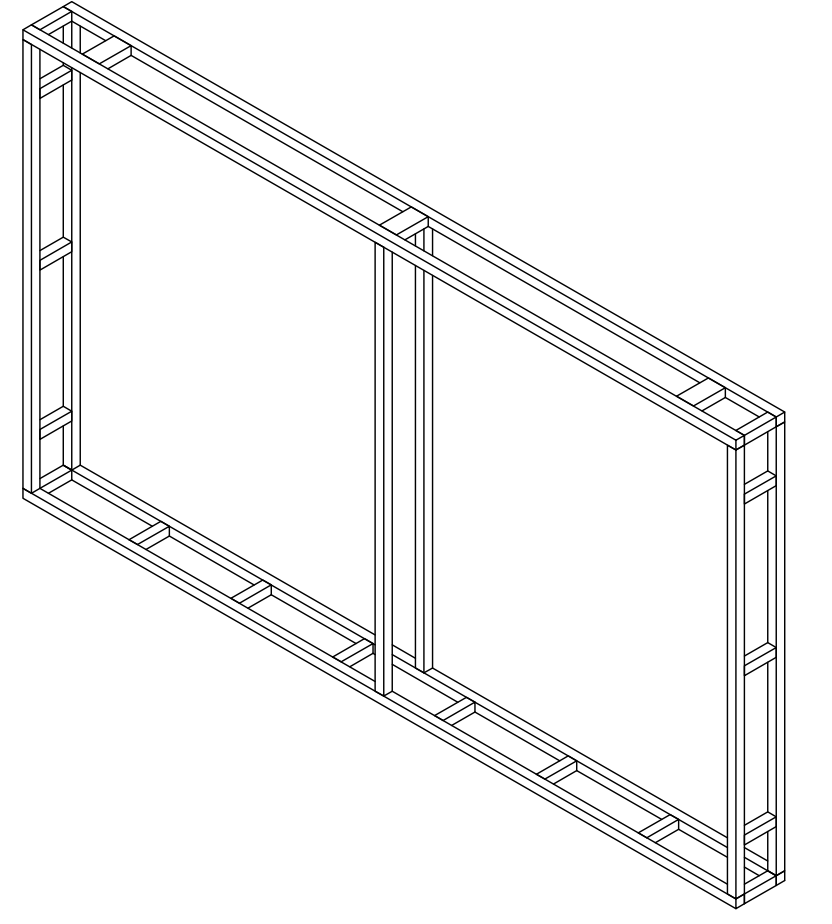
P1 Frame B Iso View
Scale: 3/4" = 1'



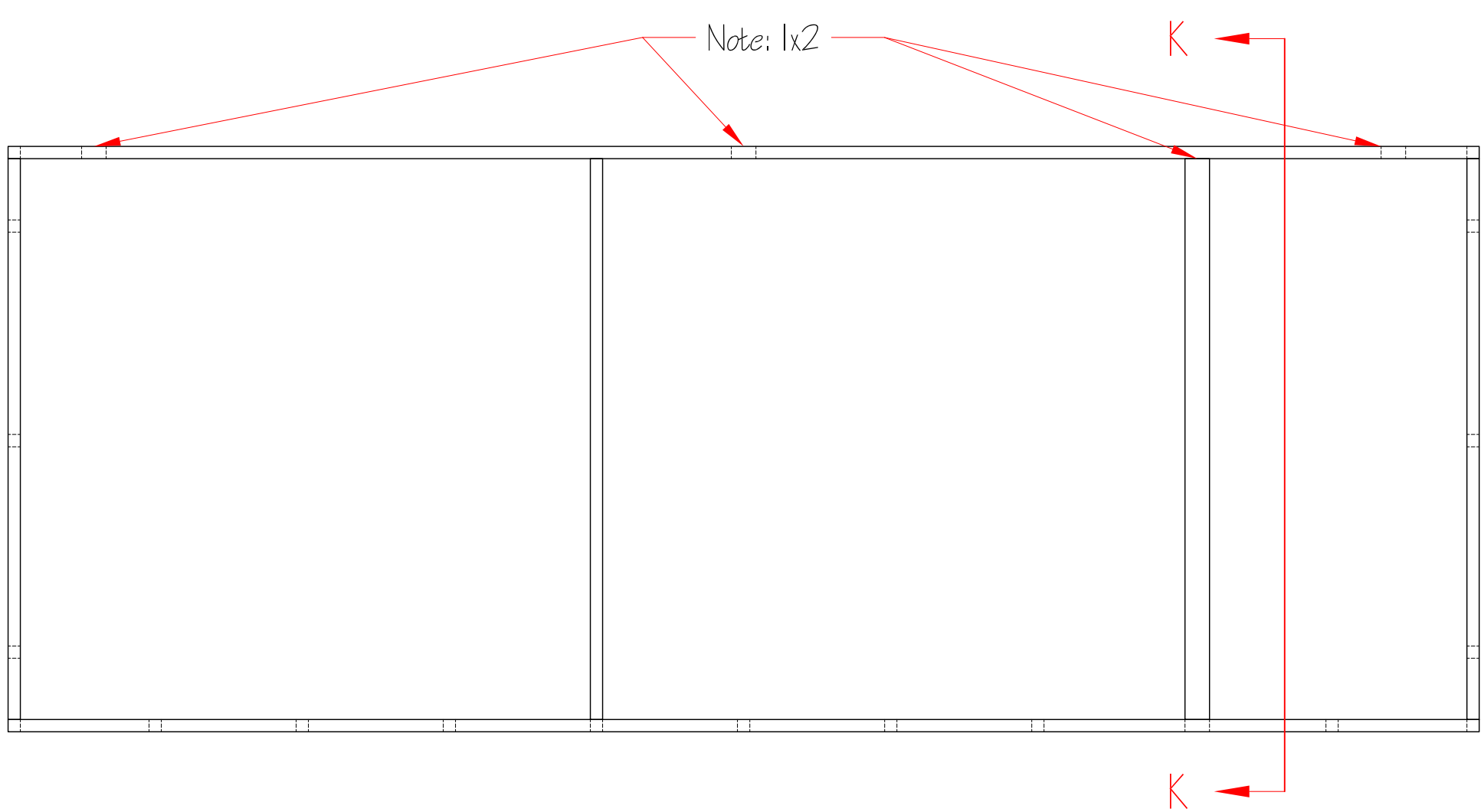
Portal 4 Frame B
Top View



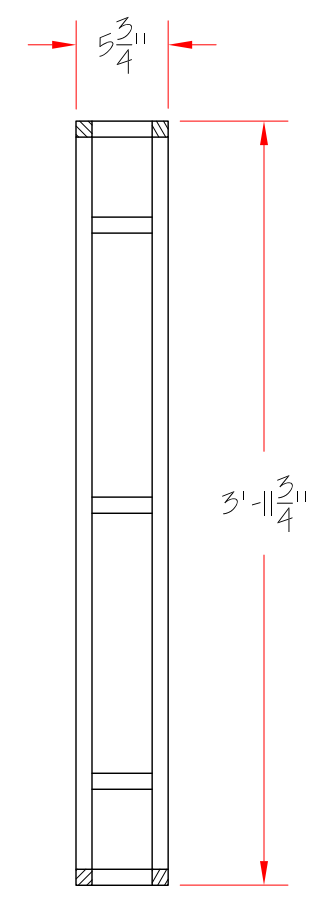
Portal 4 Frame B
Section L-L



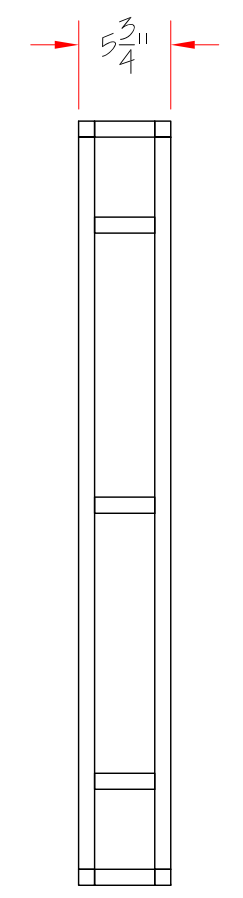
P4 Frame B Iso View
Scale: 3/4" = 1'



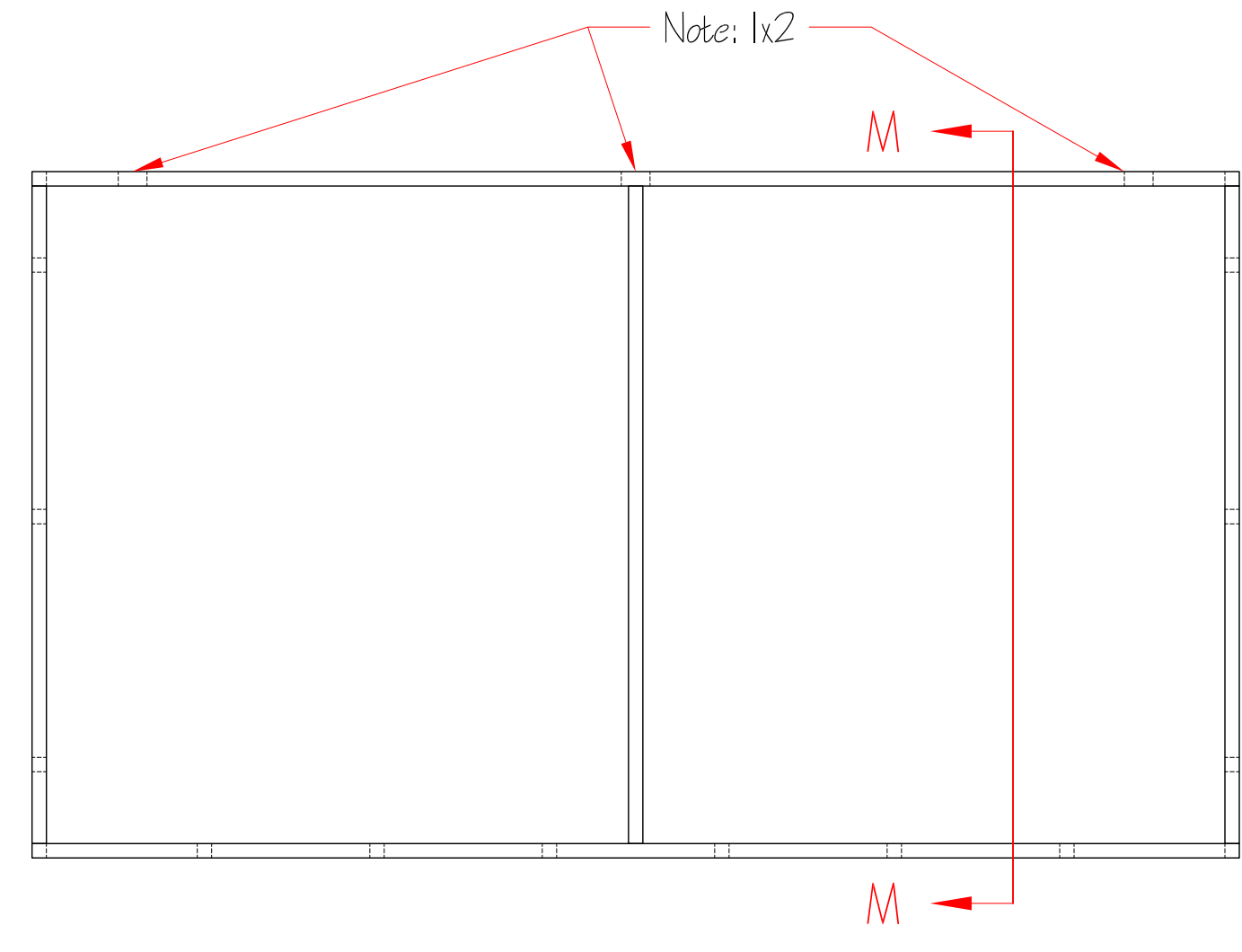
Portal 1 Frame B
Front View



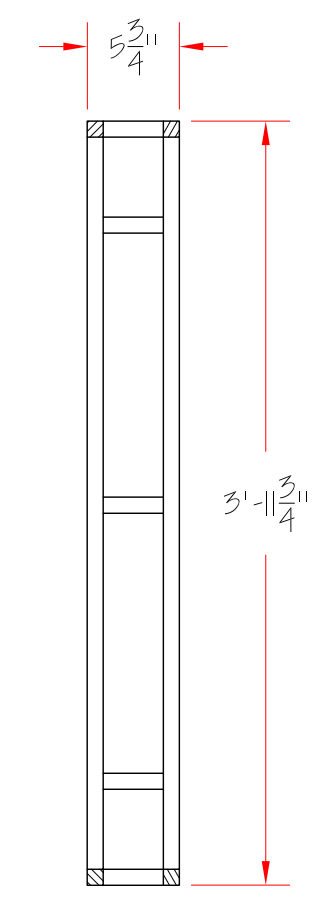
Portal 1 Frame B
Section K-K



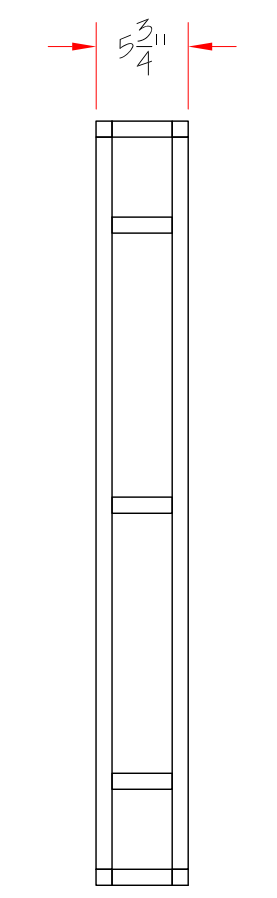
Portal 1 Frame B
Side View



Portal 4 Frame B
Front View



Portal 4 Frame B
Section M-M



Portal 4 Frame B
Side View

- Notes:
- Build 1 of each
 - Frame using 1x1, 1/8" wall square aluminum tubing
 - Avoid welds on front face and exterior sides as unit will be faced with sheet goods
 - Be aware of placement of 1x2 for seam catches

- Cut List Portal 1 Frame B
1x1 Box
- 4 @ 10'-0"
 - 6 @ 3'-9 3/4"
 - 18 @ 0'-3 3/4"

- 1x2 Rect
- 2 @ 3'-9 3/4"
 - 4 @ 0'-3 3/4"

- Cut List Portal 4 Frame B
1x1 Box
- 4 @ 7'-0"
 - 6 @ 3'-9 3/4"
 - 16 @ 0'-3/4"

- 1x2 Rect
- 3 @ 0'-3 3/4"

Ohio Light Opera	
Portal System Frames	
Portal 1 and 4 Header B Frames	
Drafted By: Samantha Miller	
Plot Date: 4/29/15	Scale: 1" = 1'
	PF 4