

DISCLAIMER

These drawings represent visual concepts and construction suggestions only. The designer is not qualified to determine structural appropriateness of this design and will not assume responsibility for improper rigging, engineering, construction, handling or use of this scenery. All materials and construction must comply with the most stringent applicable federal and local fire and safety codes.

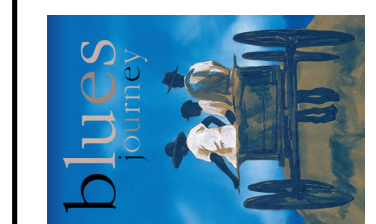
REVISIONS

NO.	DESCRIPTION

10/06/2008

KENNEDY CENTER THEATRE FOR YOUNG AUDIENCES PRESENTS:
BLUES JOURNEY NATIONAL TOUR
GENERAL PLAN
SCALE: 1/2" = 1'-0"
10/6/08
DRAWING BY: SEAN URBANITKE

DIRECTED BY: SCOT REESE
LIGHTING DESIGN BY:



DESIGN BY:

DANIEL CONWAY
DCONWAYDESIGN@MAC.COM
c: 202.422.6957
o: 301.405.6680
s: 301.405.6660

PROJ.

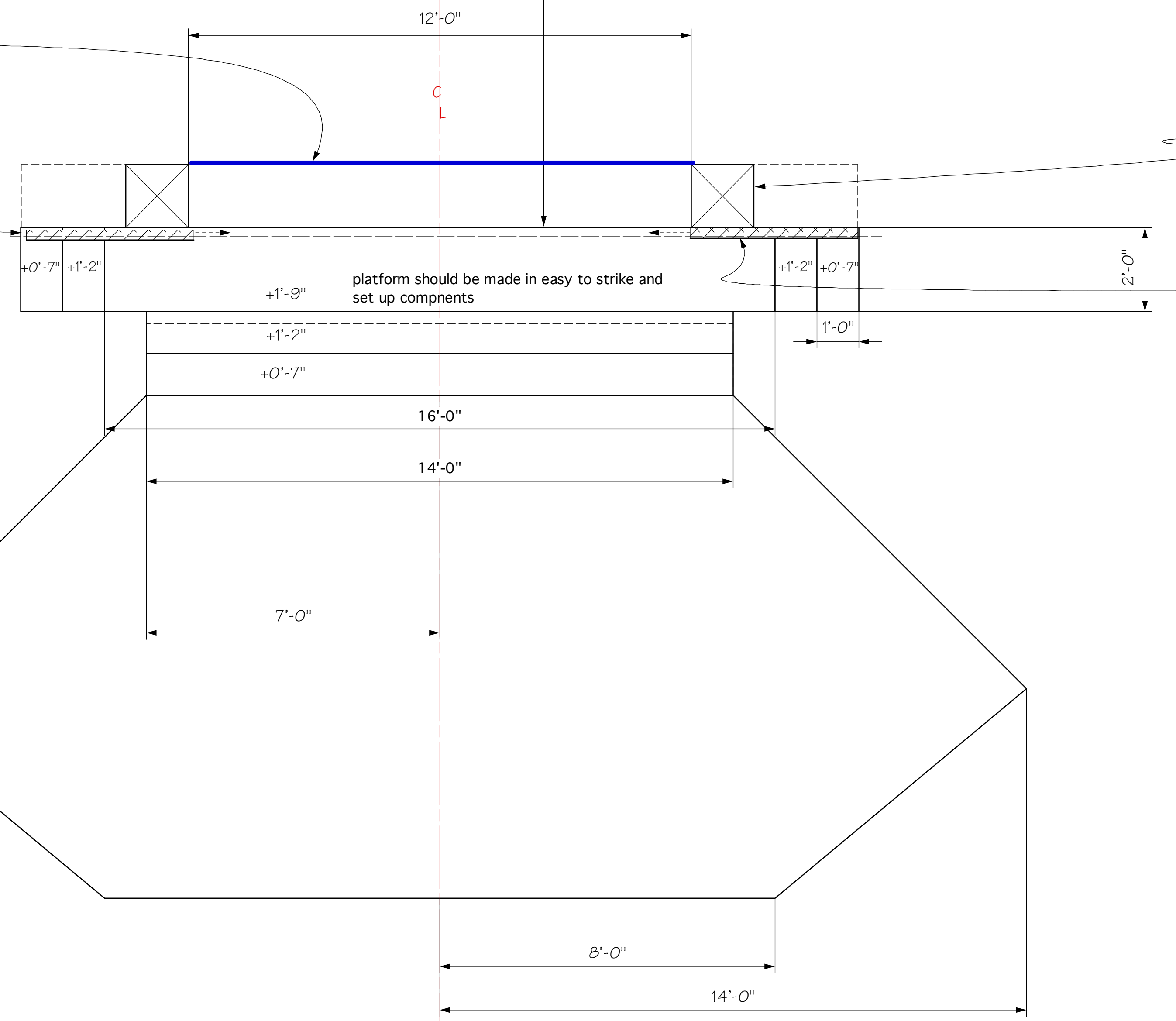
DISTANCE FROM PROJECTOR TO RP SCREEN WILL DEPEND ON THEATRE'S DEPTH. IN MOST CASES, MAXIMUM DISTANCE AVAILABLE WILL BE BEST OPTION.
*SEE NOTE ON PLATE 2

REAR PROJECTION SCREEN: 12' x 9' GREY RP SCREEN velcros to the back of the truss
There will need to be a horizontal pipe or stiffener at the bottom to tack the rp screen.

MURAL FLAT

18" BOX TRUSS

MURAL FLAT



DECK MADE OF painted canvas

FLOOR, STEP, AND PLATFORM DECK TREATMENT IS A painted canvas DECK

